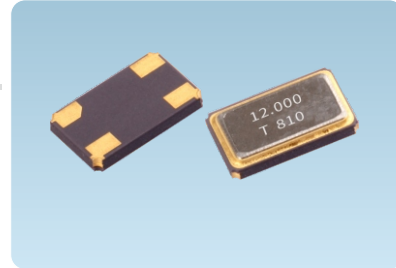


TX6 Type

6.0x3.5x1.0mm typ

8MHz up to 50MHz



Feature

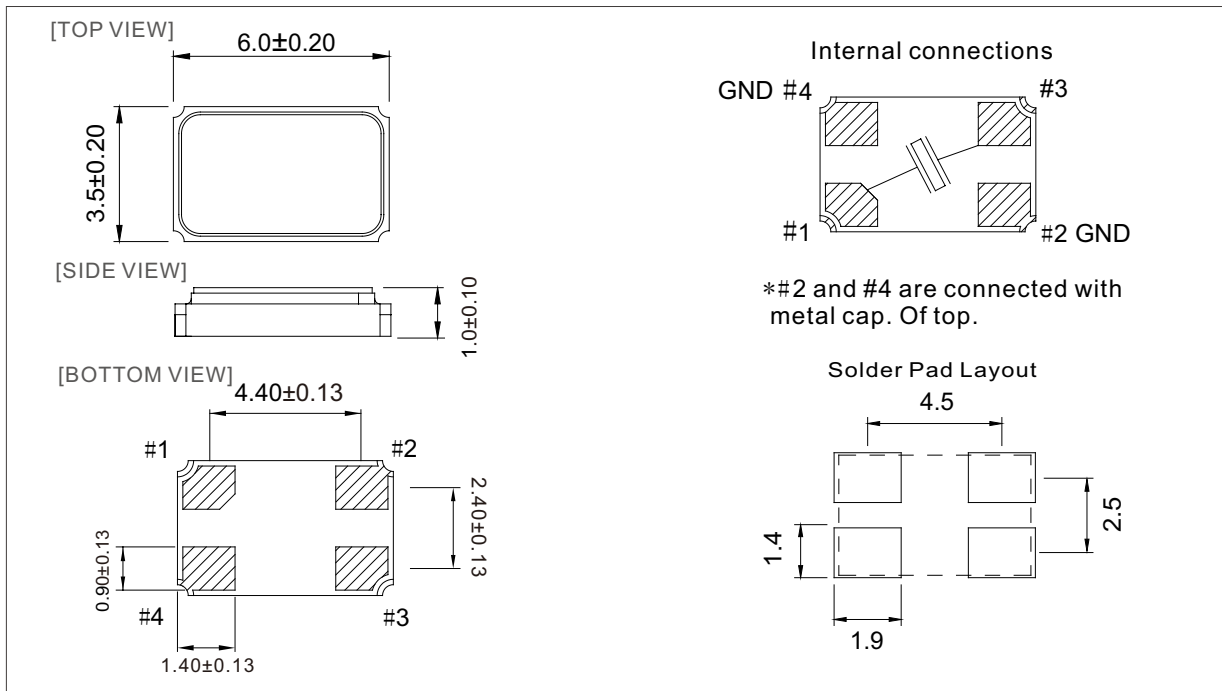
A surface mount type crystal unit.

- Ultra thin ceramic package.(6.0×3.5×1.0mm typ.)
- Tight Tolerance 10 ppm available.
- Application:Automotive;MP3 Player,DECT;WLAN.
- Meets the requirements for re-flow profiling using lead-free solder.

Specifications

Item	Type	TX6-Type					
Frequency Range		8~12MHz	12~13MHz	13~19MHz	19~20MHz	20~30MHz	30~50MHz
Oscillator Mode		Fundamental					
Load Capacitance		8pF to Series					
Drive Level		10μW(300μW max.)					
Frequency Tolerance		±10×10 ⁻⁶ ,±20×10 ⁻⁶ ,±30×10 ⁻⁶ , (at 25°C)					
Series Resistance		60Ω max.	50Ω max.	45Ω max.	40Ω max.	35Ω max.	30Ω max.
Operating Temperature Range		-10~+60°C, -20~+70°C, -40~+85°C					
Storage Temperature Range		-55~+125°C					
Packing Unit		1000pcs/reel(Ø180)					

Outline Drawing(mm)



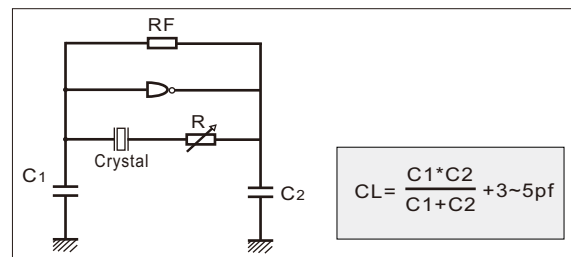
Frequency Stability Vs. Temperature Range

Temp.(°C)	Ppm	±5	±10	±15	±20
-10 ~ +60		+	✓	✓	✓
-20 ~ +70		×	✓	✓	✓
-40 ~ +85		×	×	✓	✓

Temp.(°C)	Ppm	±15	±20	±30	±50
-40 ~ +105		+	✓	✓	✓
-40 ~ +125		×	×	+	✓

✓ Available + Conditional × Not Available

Oscillation Circuit of Fundamental Mode



Q.C PASS

T1903A