

Crystal Units

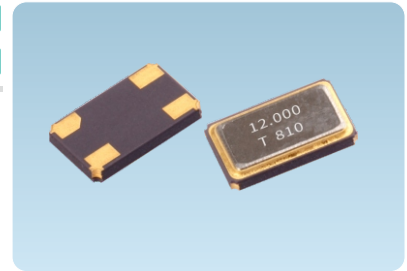


RoHS compliance

TX5 Type

5.0x3.2x0.8mm typ

8MHz up to 80MHz



Feature

A small surface mount type crystal unit, especially suited for small-sizing requirements.

- Ultra thin ceramic package.(5.0×3.2×0.8mm typ.)
- Tight Tolerance 10 ppm available.
- Application:Bluetooth ,GPS;Display,TV(FPD/FTF LCD);

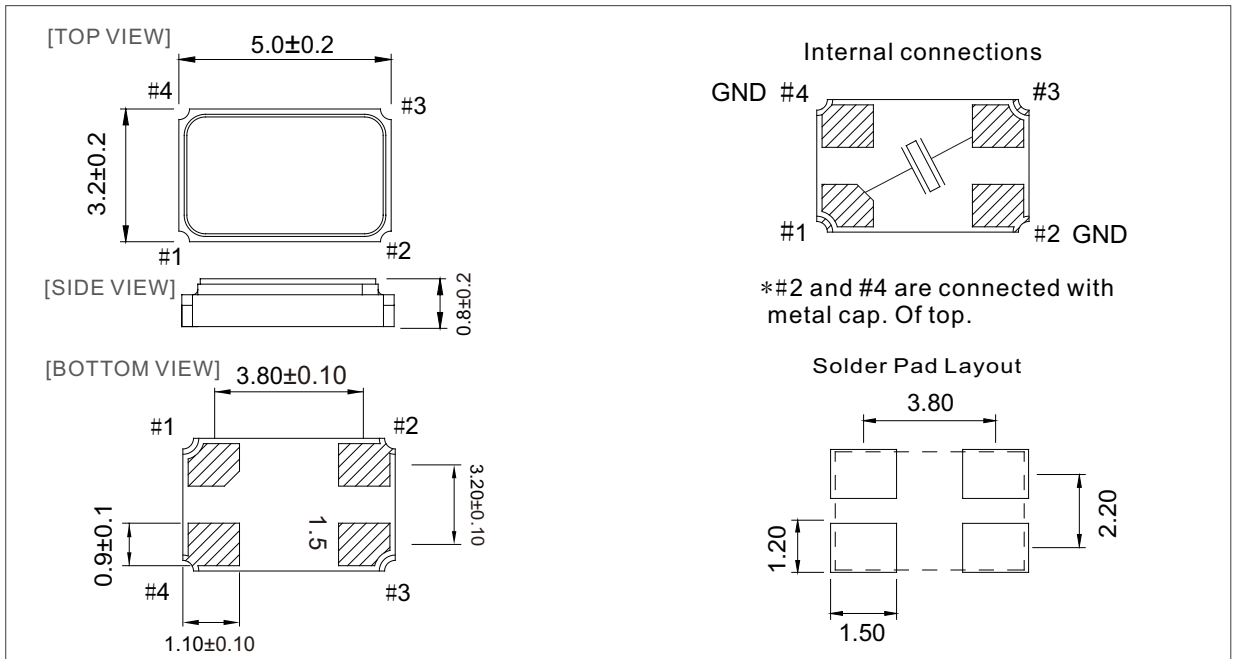
Computer Peripheral.

- Meets the requirements for re-flow profiling using lead-free solder.

Specifications

Item	Type	TX5-Type							
Frequency Range		8~11MHz	11~12MHz	12~13MHz	13~16MHz	16~24MHz	24~48MHz	48~53.125MHz	Fo=80MHz
Oscillator Mode		Fundamental							
Load Capacitance		8pF to Series							
Drive Level		10μW(300μW max.)							
Frequency Tolerance		$\pm 10 \times 10^{-6}, \pm 20 \times 10^{-6}, \pm 30 \times 10^{-6}$, (at 25°C)							
Series Resistance		100Ω max.	65Ω max.	60Ω max.	55Ω max.	50Ω max.	45Ω max.	40Ω max.	60Ω max.
Operating Temperature Range		-10~+60°C, -20~+70°C, -40~+85°C							
Storage Temperature Range		-55~+125°C							
Packing Unit		1000pcs/reel(Ø180)							

Outline Drawing(mm)



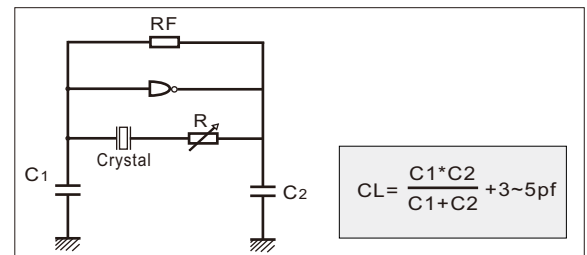
Frequency Stability Vs. Temperature Range

Temp.(°C)	Ppm	±5	±10	±15	±20
-10 ~ +60		+	✓	✓	✓
-20 ~ +70		×	✓	✓	✓
-40 ~ +85		×	×	✓	✓

Temp.(°C)	Ppm	±15	±20	±30	±50
-40 ~ +105		+	✓	✓	✓
-40 ~ +125		×	×	+	✓

✓ Available + Conditional × Not Available

Oscillation Circuit of Fundamental Mode



Q.C PASS

T1903A