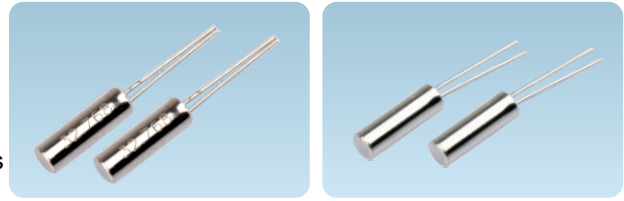


Crystal Units



RoHS compliance

TDA.TDB_{Type}



Feature

Low power consuming tuning fork crystal resonators are suitable not only for wristwatches but also for a wide range of other applications from industrial equipment to the clock functions in consumer and household electronics.

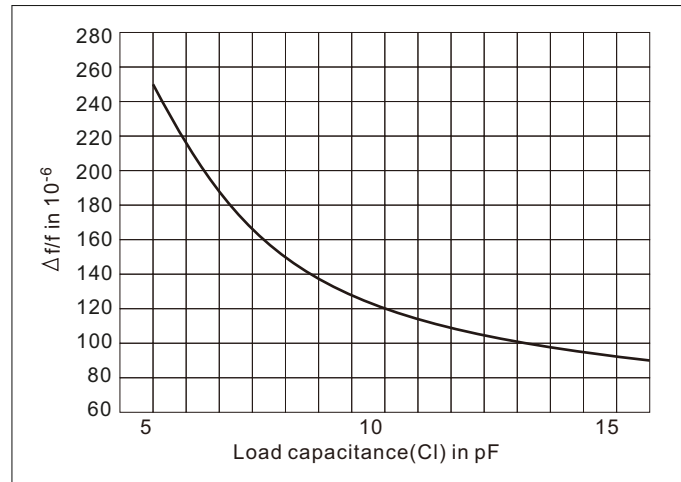
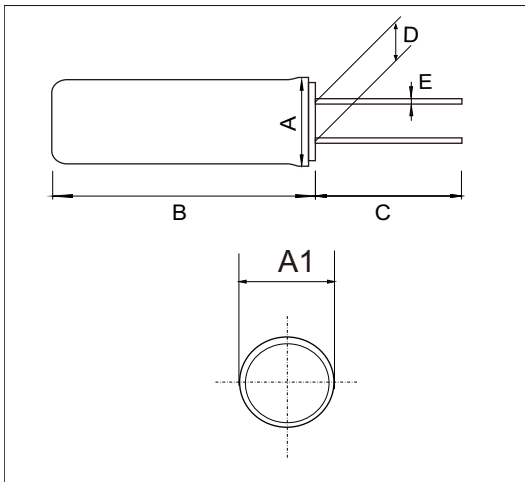
Specifications

Item	Type	TDA-Type	TDB-Type
Frequency Range		32.768KHz	32.768KHz
Load Capacitance		Series,6pF,12.5pF ※1	
Drive Level		0.2μW(1μW max.)	
Frequency Tolerance (ppm)		±5 ±10 ±20	±5 ±10 ±20
Series Resistance		30KΩ max.	40KΩ max.
Turnover Temperature		+25~±5°C	+25~±5°C
Parabolic Coefficient		-0.04x10 ⁻⁶ /°C ² max	
Operating Temperature Range		-20~+70°C, -40~+85°C	
Storage Temperature Range		-55~+125°C	

※1:Other capacitance value is available upon your request.

Outline Drawing(mm)

Type	A1	A	B	C	D	E
TDA	Φ3.0	Φ3.0 ^{+0.1} _{-0.2}	8.0 ^{+0.3} _{-0.2}	10.0±1.0	1.1±0.2	Φ0.35±0.07 (±0.35±0.07)
TDB	Φ2.0	Φ2.0 ^{+0.1} _{-0.2}	6.0 ^{+0.1} _{-0.2}	7.5±1.0	0.7±0.2	Φ0.28±0.05



Frequency Stability Vs. Temperature Range

Temp.(°C)	Ppm	±100	Over±150
-20 ~ +70		✓	✓
-40 ~ +85		×	✓

✓ Available + Conditional × Not Available

Q.C
PASS

T1903A