

Crystal Units



RoHS compliance

TD7 Type



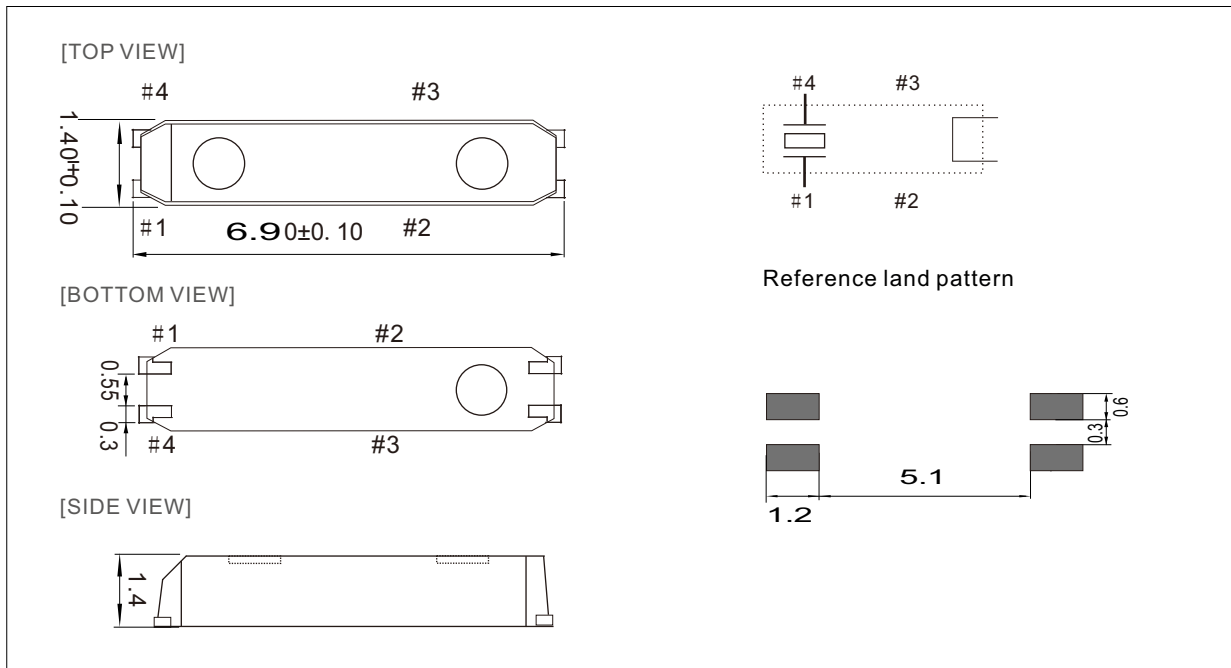
Feature

- 32.768KHz (32KHz to 100KHz)
- 1.4 mm Max.(TD7)
- Fundamental
- Small communications devices

Specifications

Item	Type	TD7-Type
Frequency Range		32.768KHz
Overtone Order		Tuning Fork
Load Capacitance		6pF, 12.5pF
Drive Level		1μW Max.
Frequency Tolerance		$\pm 5 \times 10^{-6}$, $\pm 10 \times 10^{-6}$, $\pm 20 \times 10^{-6}$ (at 25°C)
Series Resistance		65KΩ max.
Operating Temperature Range		-20~+70°C, -40~+85°C
Storage Temperature Range		-55~+125°C
Packing Unit		1000pcs/reel(Ø180)

Outline Drawing(mm)

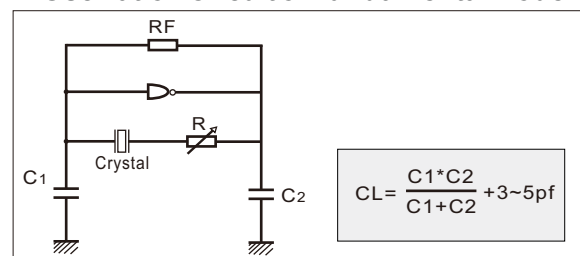


Frequency Stability Vs. Temperature Range

Temp.(°C)	Ppm	±100	Over±150
-20 ~ +70		✓	✓
-40 ~ +85		×	✓

✓ Available + Conditional × Not Available

Oscillation Circuit of Fundamental Mode



Q.C
PASS

T1903A